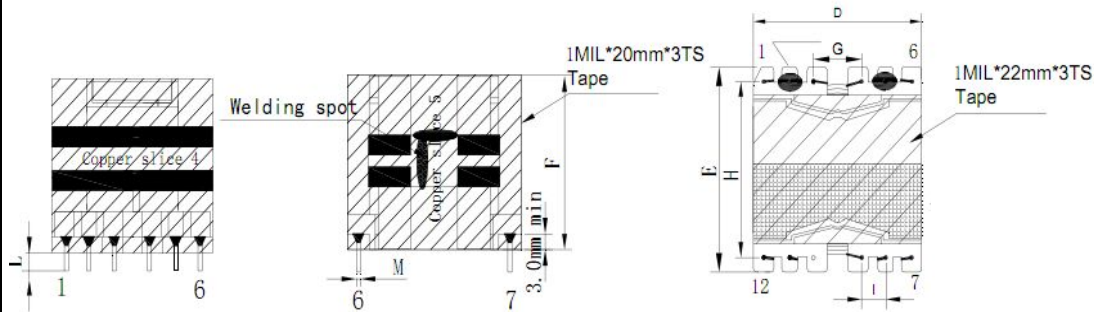


CUSTOMER TERMINAL	ROHS	Lead(Pb)-free
	YES	YES

1. Mechanical Dimensions



D	30.0	MAX
E	30.5	MAX
F	23.5	MAX
G	7.6	±0.3
H	25.4	±0.4
I	3.8	±0.2
L	3.5	±0.5

3. Material List

Core:FW95 PQ2620

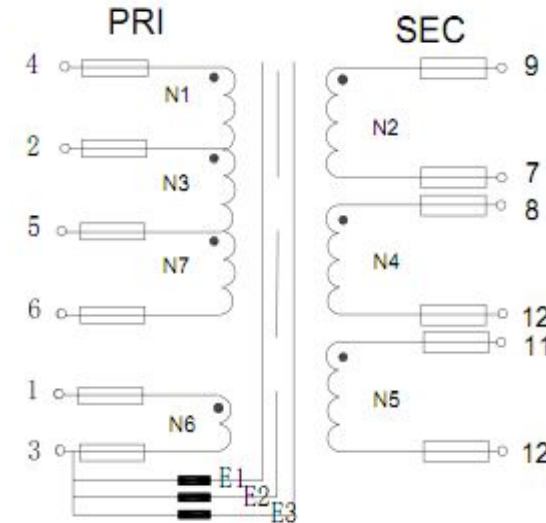
Bobbin:FWB2601(6+6PIN)

Wire:2UEW TIW LITZ

Copper foil: 0.025t*5.0/8.0mm

Operating Temperature: -30 to115 °C

2. Schematic Diagram



4. Electrical Specification

Inductance: L(4-6):450uH±5% 60KHZ , 1V

Leakage Inductance : 6uH MAX 60KHZ , 1V

DCR:(4-6)=0.72ΩMAX

Hi-Pot:P-S: AC 60Hz 4000V 1.0mA 3S

S-CORE: AC 60Hz 4000V 1.0mA 3S

REV.	DATE	<p>Convention Placement</p>	DRW.	Drawing Title:	Part No:		
0	00/00		CHK.			TRANSFORMER	FWPTPQ2620V451J-2
			APP.			Customer P/N	Specification Sheet 1of 1
ROHS		www.ferriwo.com					